


PRODUCT SHEET

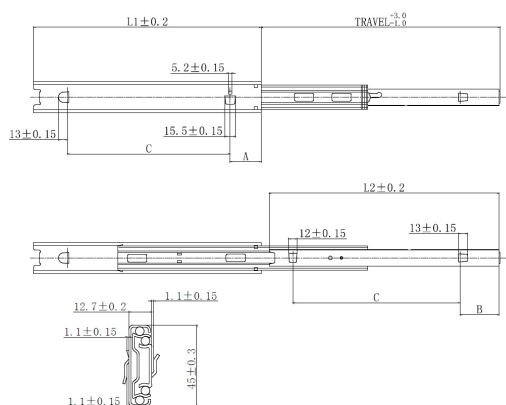
Description:

Drawer Slide ME4500, 300mm Bayonet Fix, D=206mm, Black ZP

Item number:

16.13.306-1

Units	Box	Carton	HS Code	Barcode
Pair	1	10	8302420090	 5704866103398



L1	L2	TRAVEL	A	B	C
300	296	300	45	58	206
350	346	350	45	58	256
400	396	400	45	58	256
450	446	450	45	58	306
500	496	500	45	58	356
550	546	550	45	58	406
600	596	600	45	58	456
650	646	650	45	58	506
700	696	700	45	58	556

SISO A/S
 Mileparken 11
 DK-2740 Skovlunde
 Denmark
 VAT: 24786013

Phone +45 45 830 900
www.siso.dk
siso@siso.dk

Danske Bank
 Nytorv Branch
 Copenhagen
 SWIFT: DABADKKK

Account no.
 4180 3112 112936
 IBAN Account
 DK7230003112112936